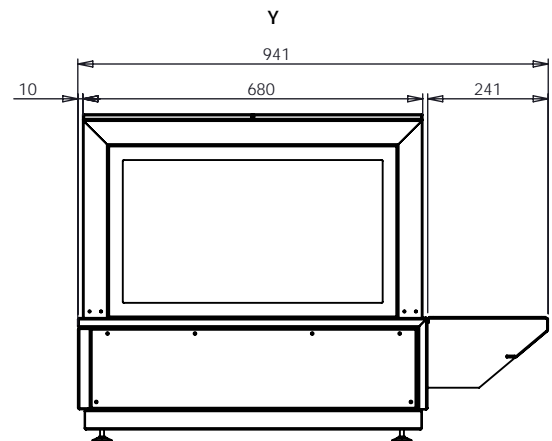
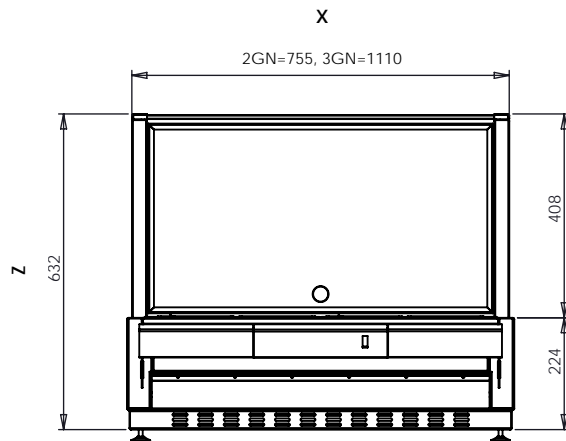


About

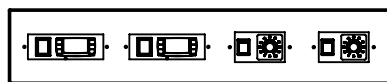
This type of showcase is based on the serving heating counter model. It features a QIR lamp 2GN (providing both light and heat), a glass-ceramic plate under the GN containers, and flip-up doors on both sides. On the service side there is a removable shelf with a cutting board.

The control panel is located separately from the showcase and is designed to be integrated into a cabinet. Made from stainless steel material, so it is easy to clean and guarantees a long-term service life.

Technical drawing



CONTROL PANEL FOR 2GN

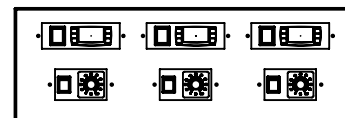


DIXELL
2x heaters under
glass-ceramic plate

KNOB
2x heaters
in QIR lamp

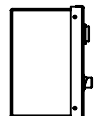


CONTROL PANEL FOR 3GN



DIXELL
3x heaters under
glass-ceramic plate

KNOB
3x heaters
in QIR lamp



Specification list

Self contained	2GN	3GN
Outside dimension:		
Width (x) [mm]	755	1110
Depth (y) x Height (z) [mm]	941 +632	
The temperature depends on the value you choose and can be set in the range of +30°C ~ +100°C		
Power input	1,5kW	2,2kW
Current draw	6,8A	10A

Model	Order number	Price
Heating showcase 2GN	V1-020700-0002	
Heating showcase 3GN	V1-020700-0003	

The temperature will be measured by a food thermometer inserted into the food and this information will appear on the display Dixell, which can then be used to regulate the temperature for optimal heating of the food.