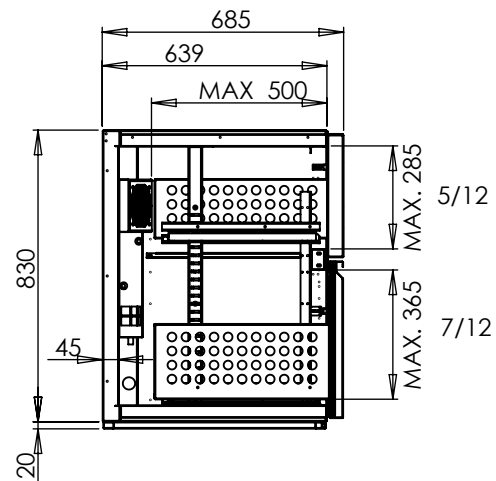
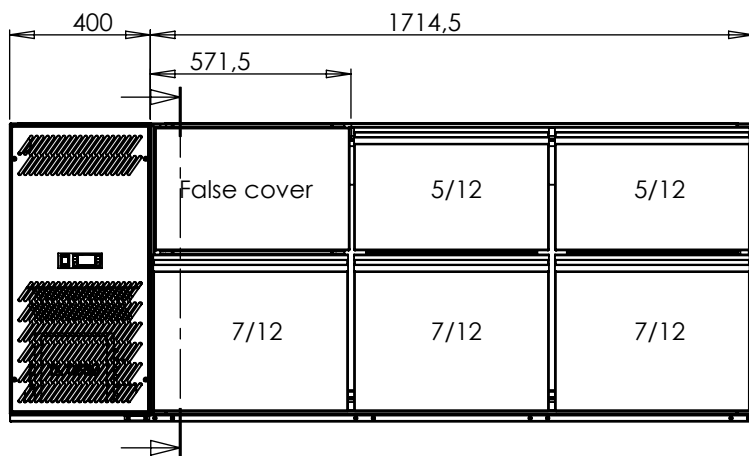
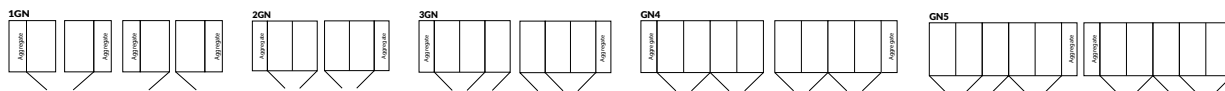


03 Beverage cooling cupboard

Technical drawing



Illustrative pictures



SPECIFICATION LIST

SELF CONTAINED	1K	2K	3K	4K
Outside dimension:				
Width (x) [mm]	971,5	1543	2114,5	2686
Depth (y) [mm]	685	685	685	685
Height (z) [mm]	850	850	850	850
SPL (distance 1m)	35 - 50 dB(A)			
Temperature	2°C +8°C			
Cooling medium	R134a 0, 12Kg	R134a 0, 14Kg	R134a 0, 17Kg	R134a 0, 19Kg
Refr. capacity (evap. @ -10°C)	0, 223 kW	0, 340 kW	0, 456 kW	0, 456 kW
Izolation	45 mm			
Voltage	230 V / 50 Hz			
Power input	260 Watt	350 Watt	460 Watt	460 Watt
Power Consumption / 24h Energy efficiency rating	2, 06 kW/h B	2, 215 kW/h B	2, 79 kW/h B	3, 13 kW/h B
Material				
Spare parts*				
measurement in (mm)	Standard			Min
AGGREGATE				
Outside dimension: Width	400			270
CONTROL PANEL				
Outside dimension: Width	180			100