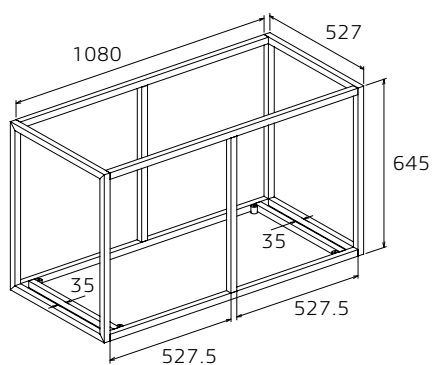
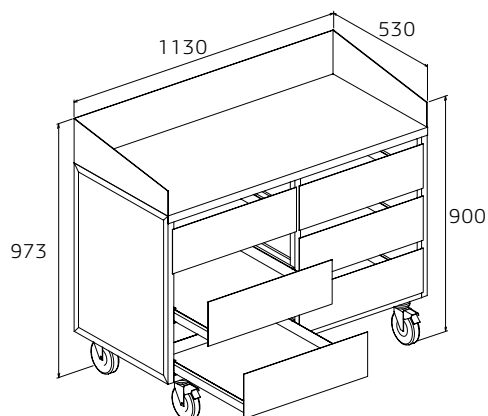
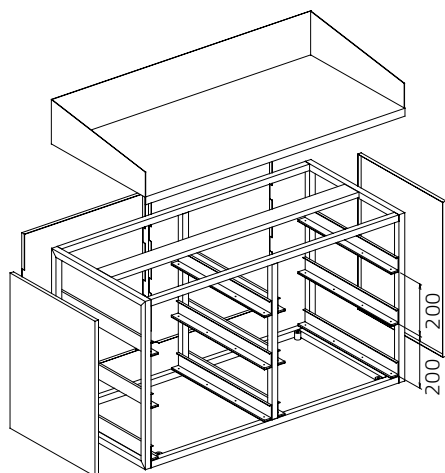



## Technical drawing



## Illustrative pictures



## SPECIFICATION LIST

| SELF CONTAINED   | I.  |
|--|---|
| Catalog number   |   |
| Width (x) [mm]   | 1130  |
|  Depth (y) [mm] | 530   |
| Height (z) [mm]  | 973   |
| Number of inserts for trays  |   |
| Lifting capacity [kg]  | 220   |
| Wheels   | Galvanized swivel castors Ø 100mm, 2 with brake |
| Material   | Stainless Steel                                 |
| Additional information   |   |
| Spare parts*   |   |