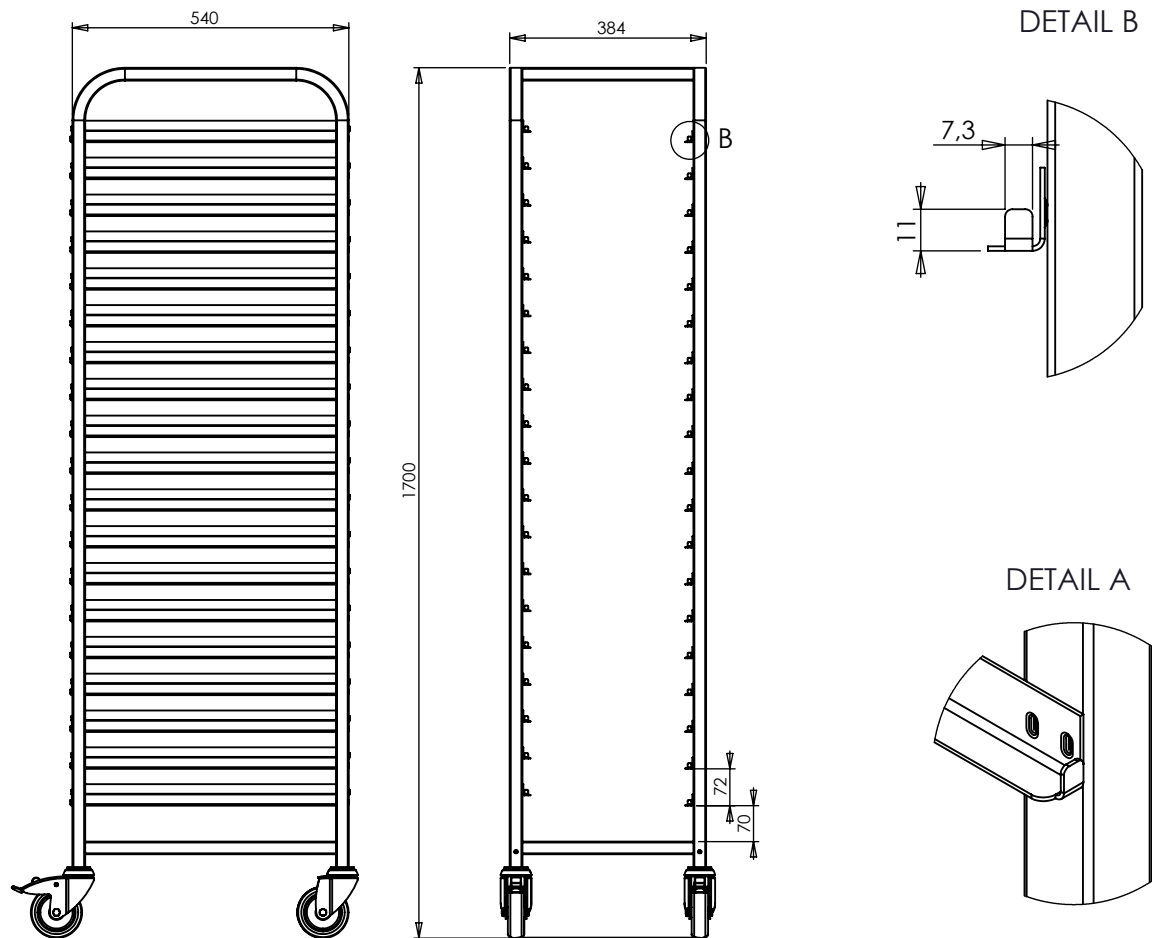



## Technical drawing



## Illustrative pictures



## SPECIFICATION LIST

SELF CONTAINED	I.
Catalog number	
Width (x) [mm]	384
 Depth (y) [mm]	540
Height (z) [mm]	1700
Number of inserts for trays	19
Lifting capacity [kg]	220
Wheels	Galvanized swivel castors Ø 100mm, 2 with brake
Material	Stainless Steel
Additional information	
Spare parts*	